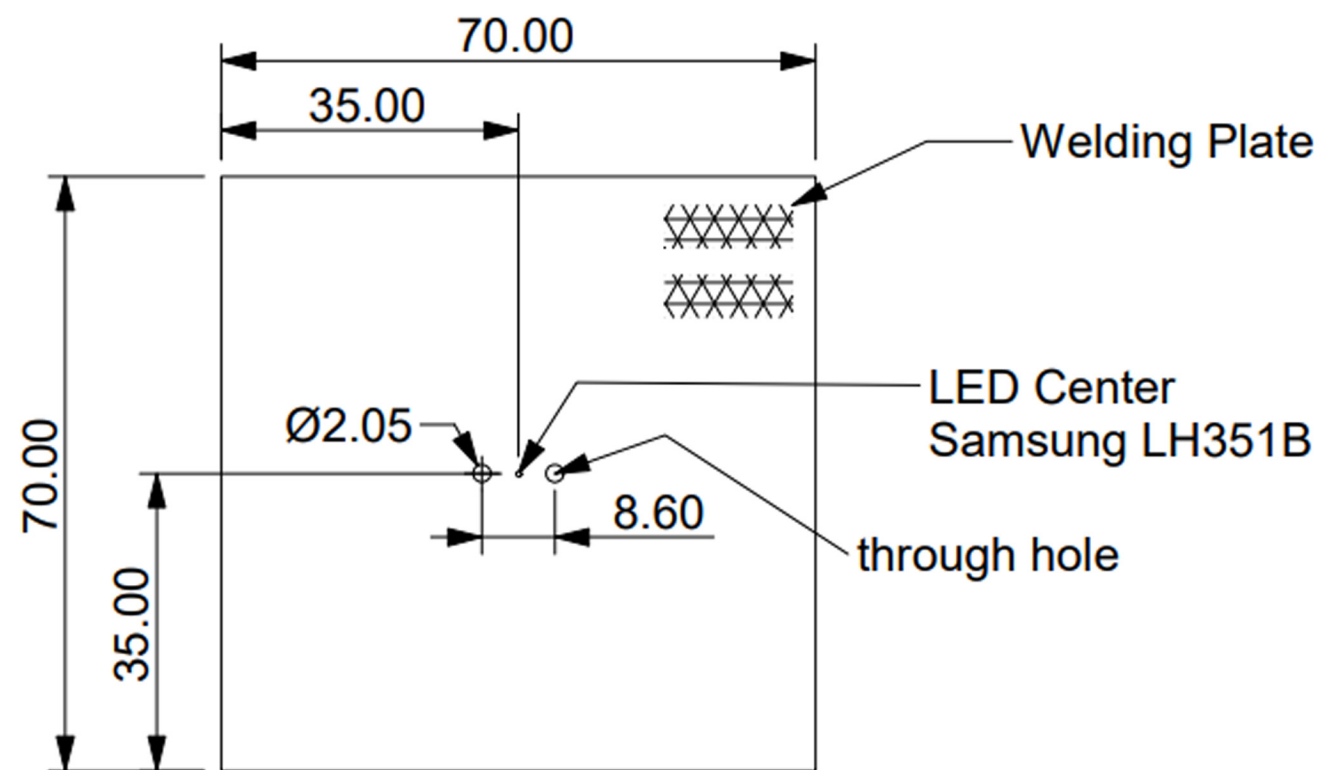


KFP52



Dimensions: mm